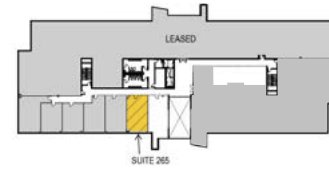




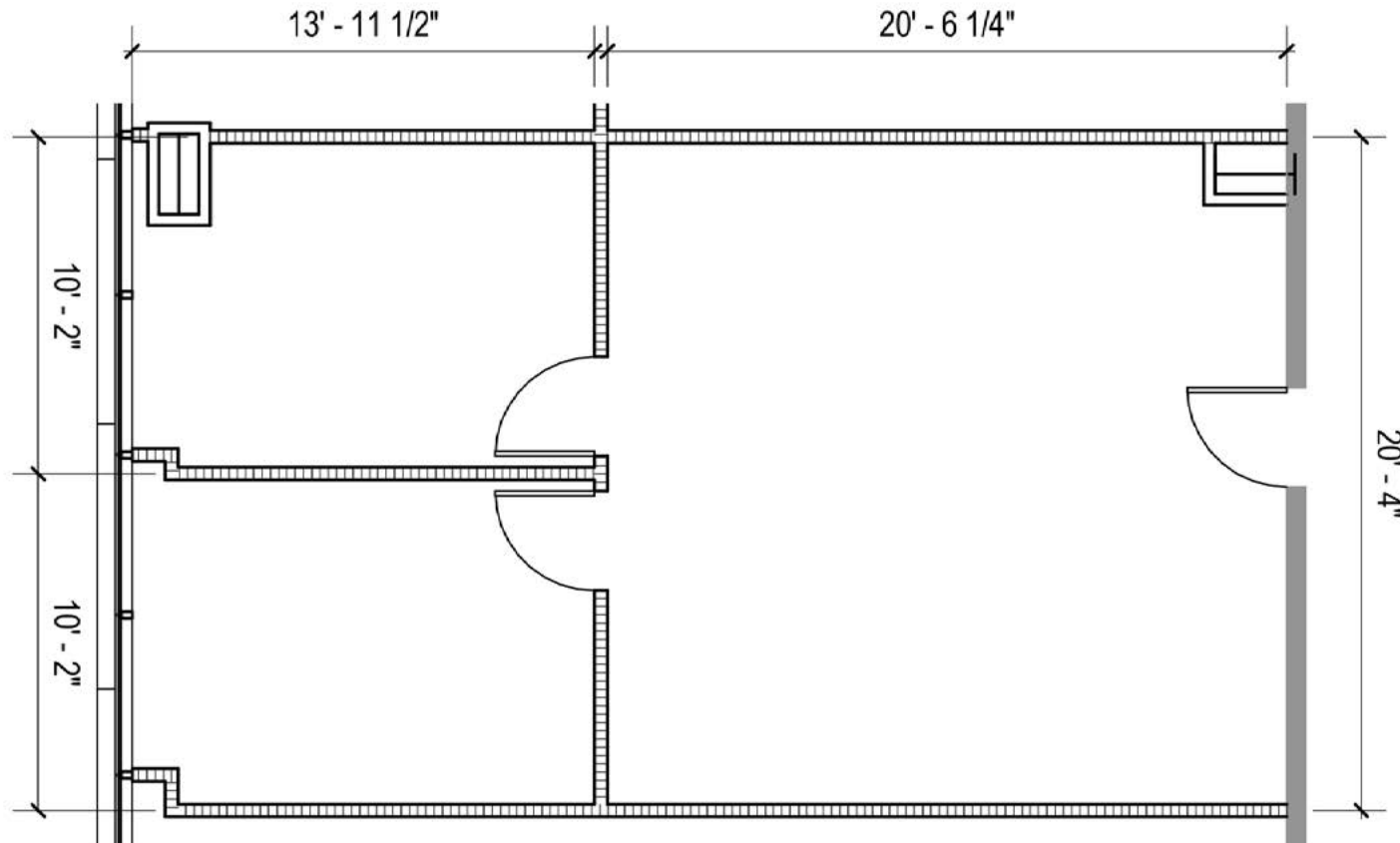
**Total SF Available:**  
831 SF

*Office suite with private offices (2)*

**KEY PLAN**  
NOT TO SCALE



*Note: This space plan is subject to existing field conditions. This drawing is proprietary and the exclusive property of St. John Properties, Inc. Any duplications, distribution, or other unauthorized use is strictly prohibited.*





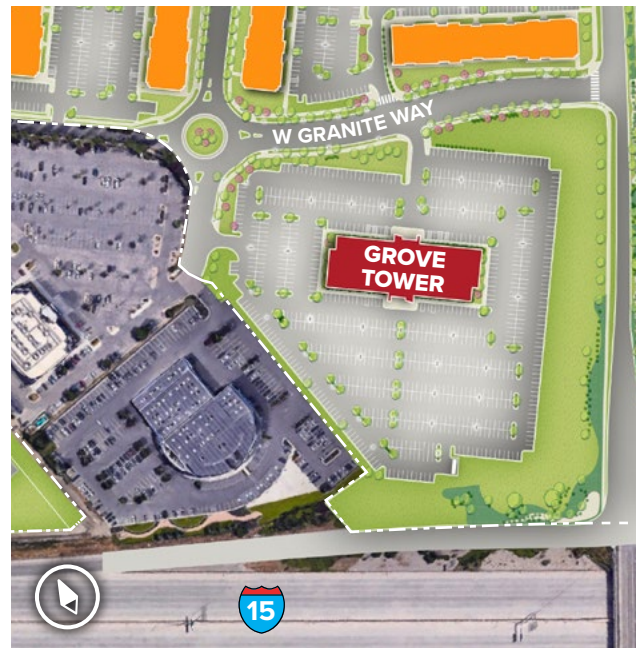
Mountain views & floor-to-ceiling glass

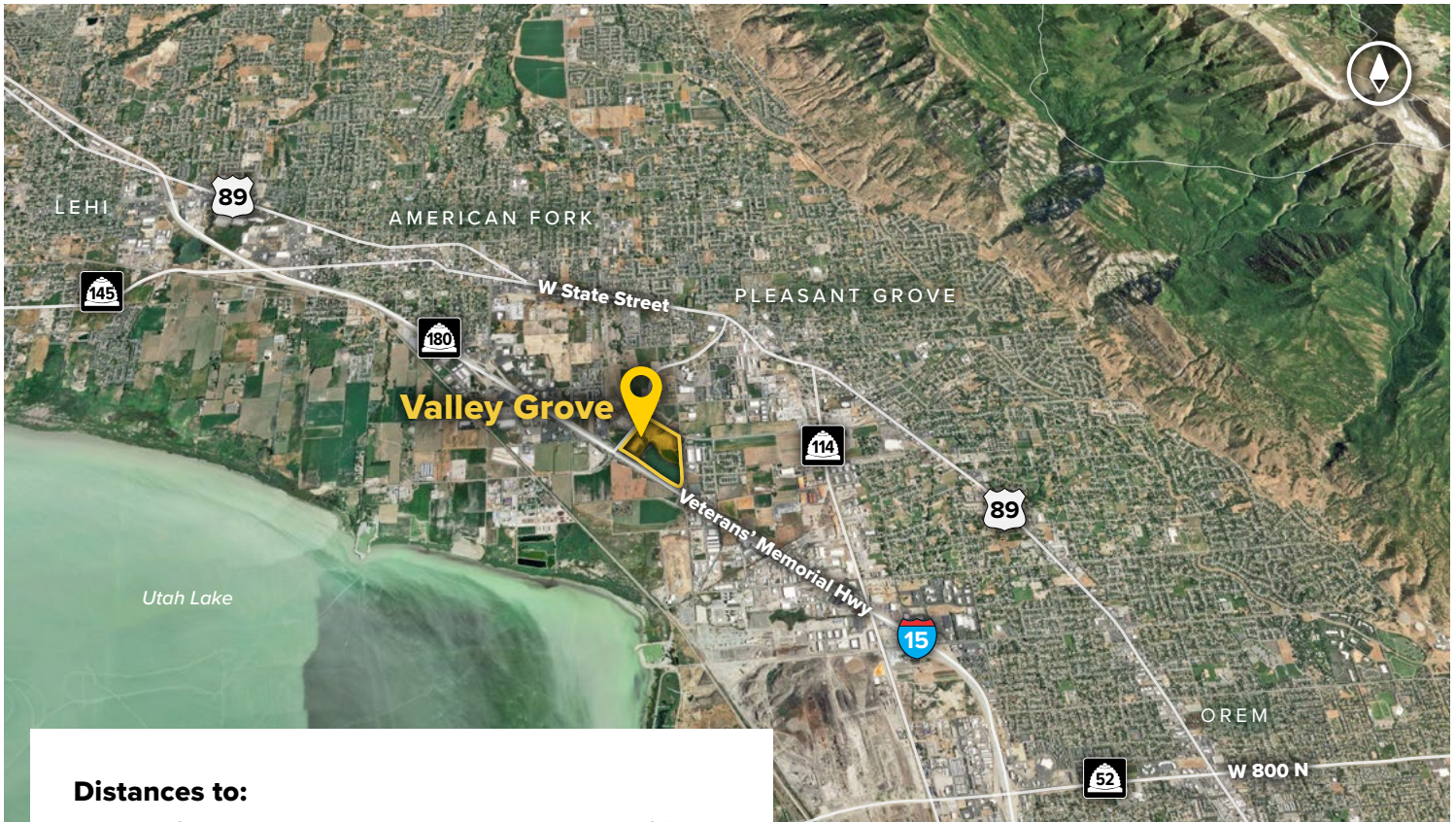


# Grove Tower

## Six-Story Class 'A' Office

Grove Tower	
2100 W Pleasant Grove Blvd	189,595 SF
Six-Story Office Specifications	
LEED	Certified
Suite Sizes	2,500 up to 189,783 SF
Ceiling Height	10-13 ft. clear minimum
Offices	Built to suit
Parking	5.5 spaces per 1,000 SF





**Distances to:**

- Interstate 215 ..... 25 miles
- Provo, UT (Downtown) ..... 12 miles
- Salt Lake City, UT (Downtown) ..... 34.5 miles
- Salt Lake City International Airport ..... 38 miles



Scan now to take a virtual tour, download floor plans and more!

# Contact Us

For additional leasing information or to schedule a tour, contact:

**Scott Gifford**  
 Director of Leasing  
 sgifford@sjpi.com  
 801.899.7991

**Daniel Thomas**  
 Regional Partner, Utah  
 dthomas@sjpi.com  
 801.899.7991

**Utah Office:**  
 1064 S North County Boulevard | Suite 190  
 Pleasant Grove, Utah 84062

**801.899.7991 | SJPI.COM/UTAH**



**About St. John Properties**

St. John Properties Utah owns and is developing more than 1.9 million square feet of commercial space across five business communities in Salt Lake, Weber, and Utah Counties.

St. John Properties, Inc. is one of the nation's largest and most successful privately held commercial real estate firms. Founded in 1971, the vertically-integrated company develops, owns and manages office, flex/ research and development, warehouse, retail and residential space nationwide.

Connect with us @stjohnprop



*This information contained in this publication has been obtained from sources believed to be reliable. St. John Properties makes no guarantee, warranty or representation about this information. Any projections, opinions, assumptions or estimates used here are for example only and do not represent the current or future performance of the property. Interested parties should conduct an independent investigation to determine whether the property suits their needs. REV 12/23*